

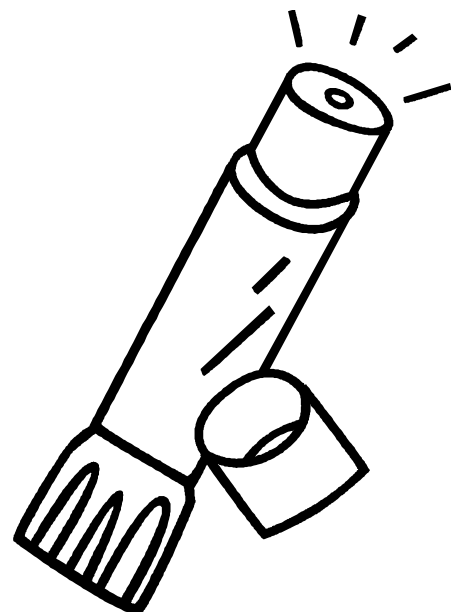
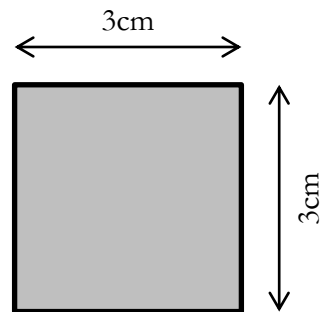
# Making a white cockade

The cockade was a symbol of the Jacobite cause, and was based on the white rose emblem of the Stuart dynasty.

Gentlemen would wear the cockade on their bonnets, and ladies might wear one in their hair or attached to their dresses.

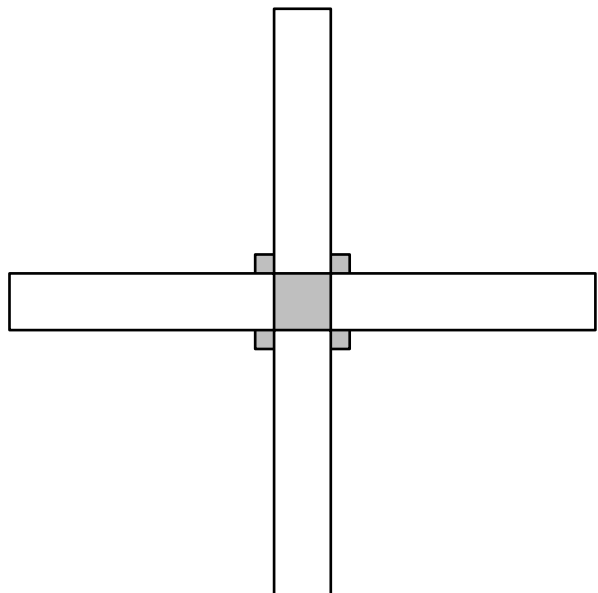
You will need:

- 13 strips of white paper. We made it with strips 2 cm x 10½ cm (half the width of a piece of A4 paper).
- 1 square of cardboard approx 3cm square.
- Glue stick

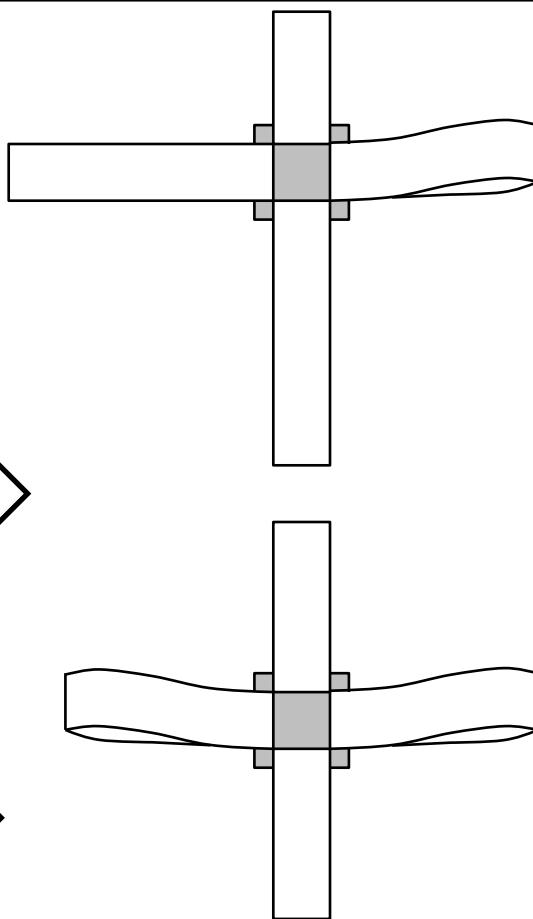


Turn over for the instructions...

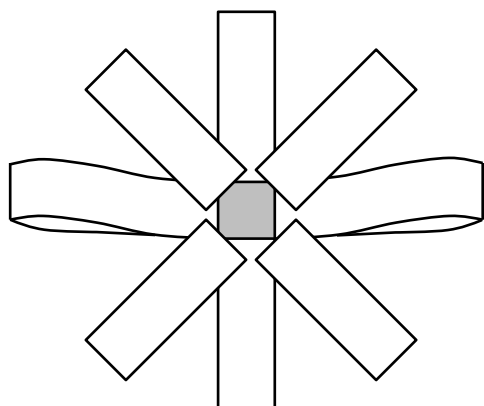
1. Glue the edges of four strips of paper on to the four edges of the cardboard square.



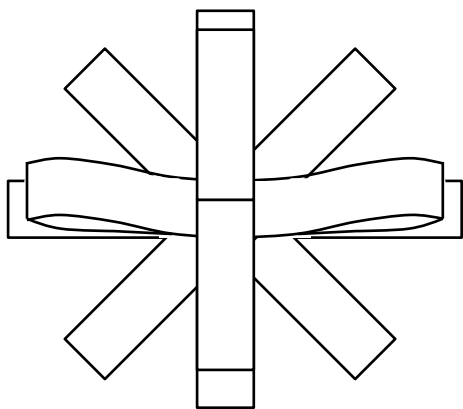
2. Now bring the outer edge of each strip of paper into the centre. Glue down the edges in line with the inner edges that you have already glued.



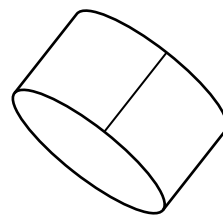
3. Now repeat steps 1 and 2, but this time glue the strips across the corners of the cardboard square.



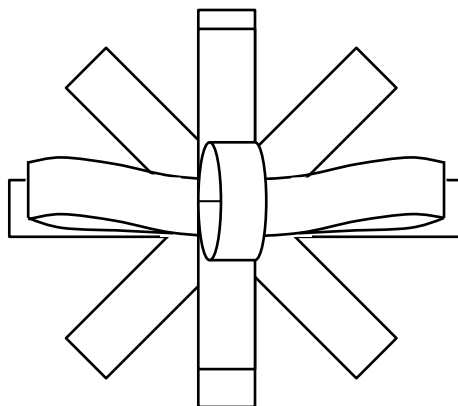
4. To make a double cockade, repeat steps 1-2 on top of the rosette you have already made.



5. Now take the last strip of paper and glue it together to make a ring.



6. Glue the ring, seam facing down, on to the centre of the cockade, covering the centre of the cardboard square.



Your cockade is now ready to be worn!